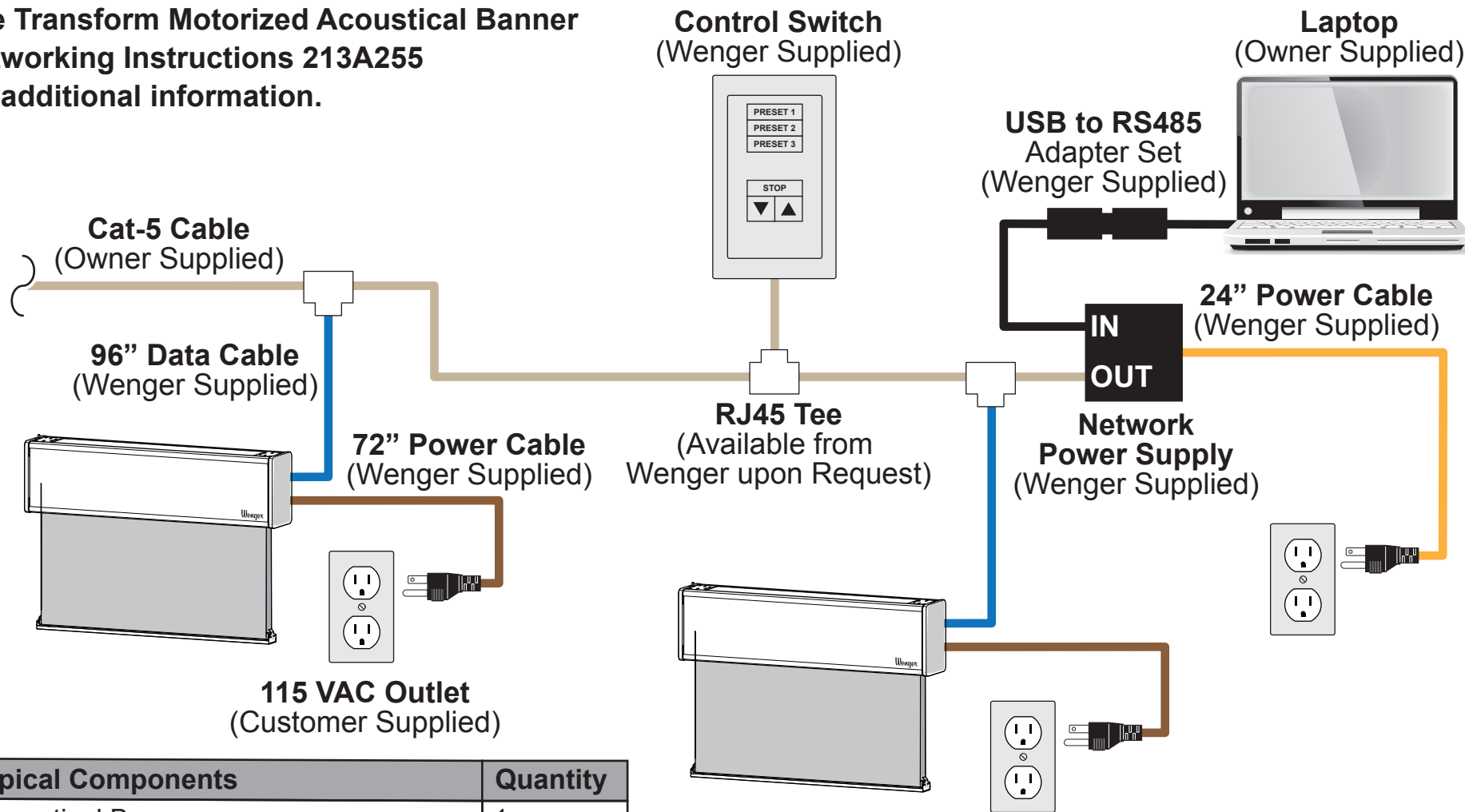


Typical Transform™ Motorized Acoustical Banner Network Riser Diagram

See Transform Motorized Acoustical Banner Networking Instructions 213A255 for additional information.



Typical Components	Quantity
Acoustical Banner	1 or more
Control Switches	1 or more
Power Supply	Only 1
Laptop with Adapter Set (used for set up and maintenance only)	Only 1

Owner supplies/installs all CAT-5 Network Cables.
 Owner supplies/installs all 115 VAC Wiring and Outlets.
 Banner Motors are rated 115 VAC/60Hz - 2.1 Amps max (each).
 Banners and Power Supply include NEMA 5-15P Plug.